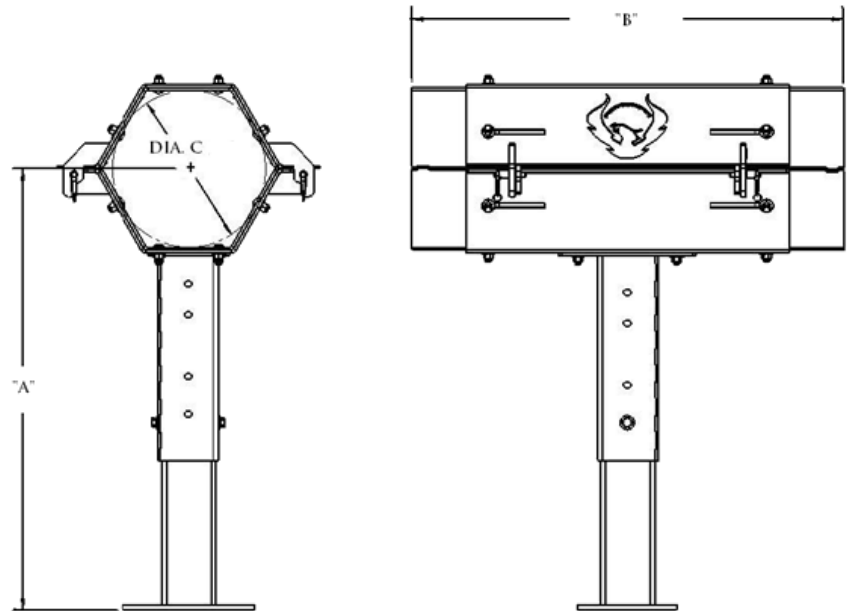




Shaft Guards

Phoenix Dynamometer Systems can supply you with a drive shaft guard to fit your exact testing needs. Our drive shaft guards are precision engineered and manufactured to the highest standards. CUSTOM drive shaft guard designs are available upon request.



MODEL #	"A"	"B"	DIA "C"
PD 0000434	400 - 700 mm [15.7 - 27.0 in]	450 - 750 mm [17.7 - 29.5 in]	300 mm [11.8 in]
PD 0000435	700 - 1000 mm [27.0 - 40.0 in]	750 - 1050 mm [29.5 - 41.3 in]	450 mm [17.7 in]
PD 0000436	1000 - 1500 mm [40.0 - 60.0 in]	1050 - 1550 mm [41.3 - 61.0 in]	600 mm [23.6 in]

Features / Benefits

- Vertical / Horizontal Adjustment
- Bi-Directional Opening
- Heavy-Duty Structural and Formed Steel Components
- Powder Coated Finish
- Alloy Steel Locking Pins
- Plated Steel Hardware

Available On Request

- Custom Painting
- Magnetic Tool Tray